

1

2

3

4

5

6

A

B

C

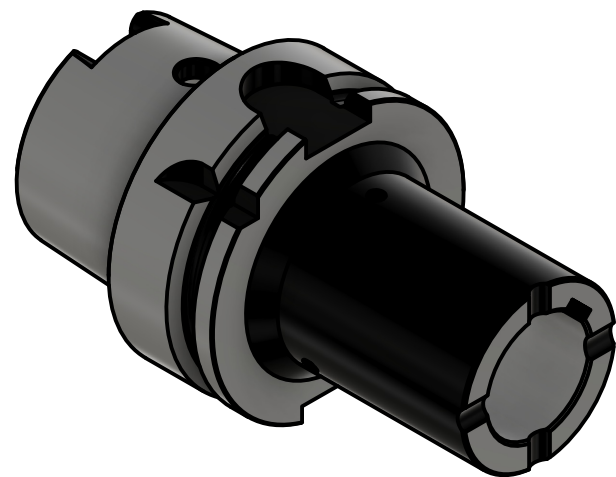
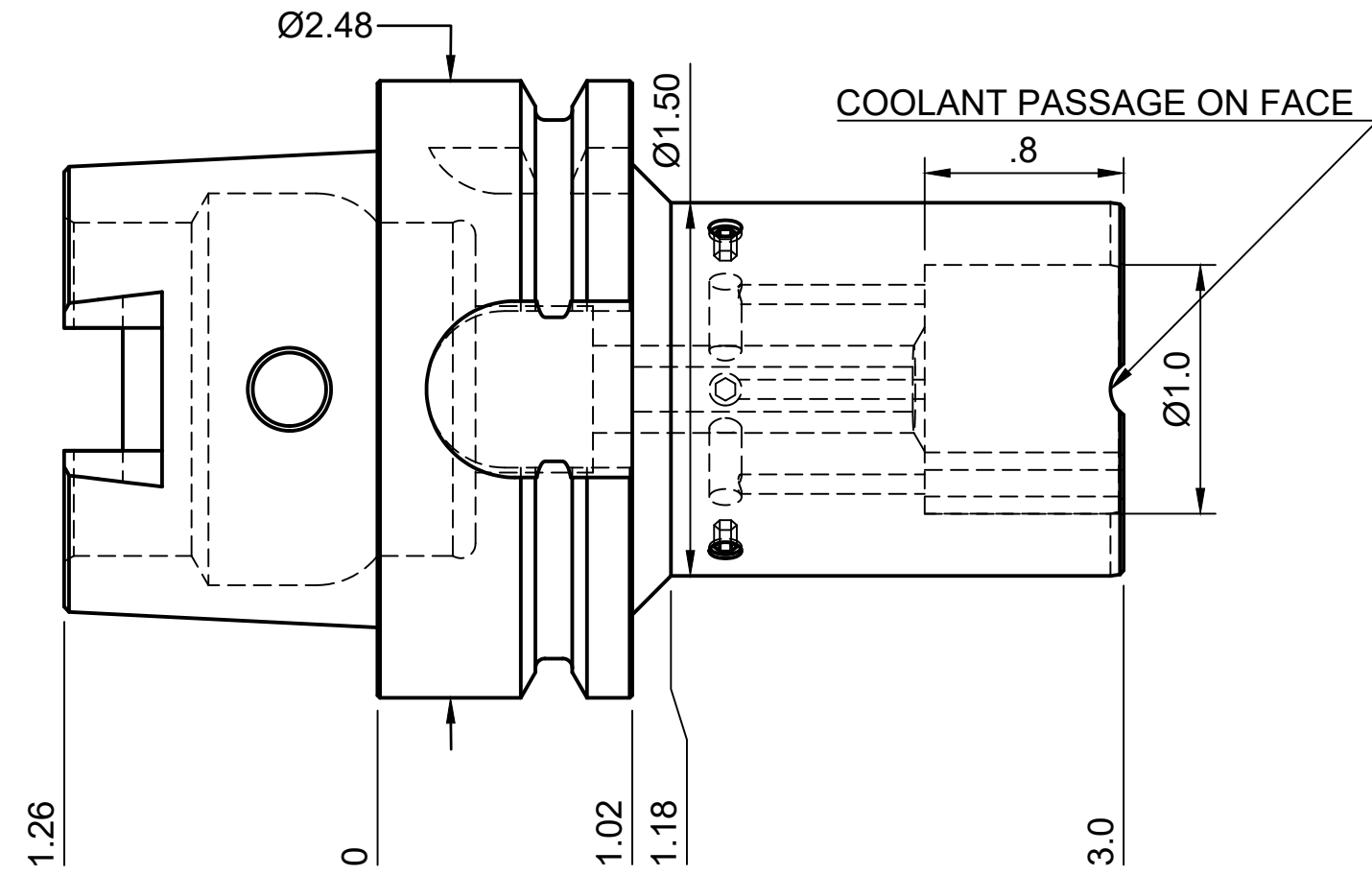
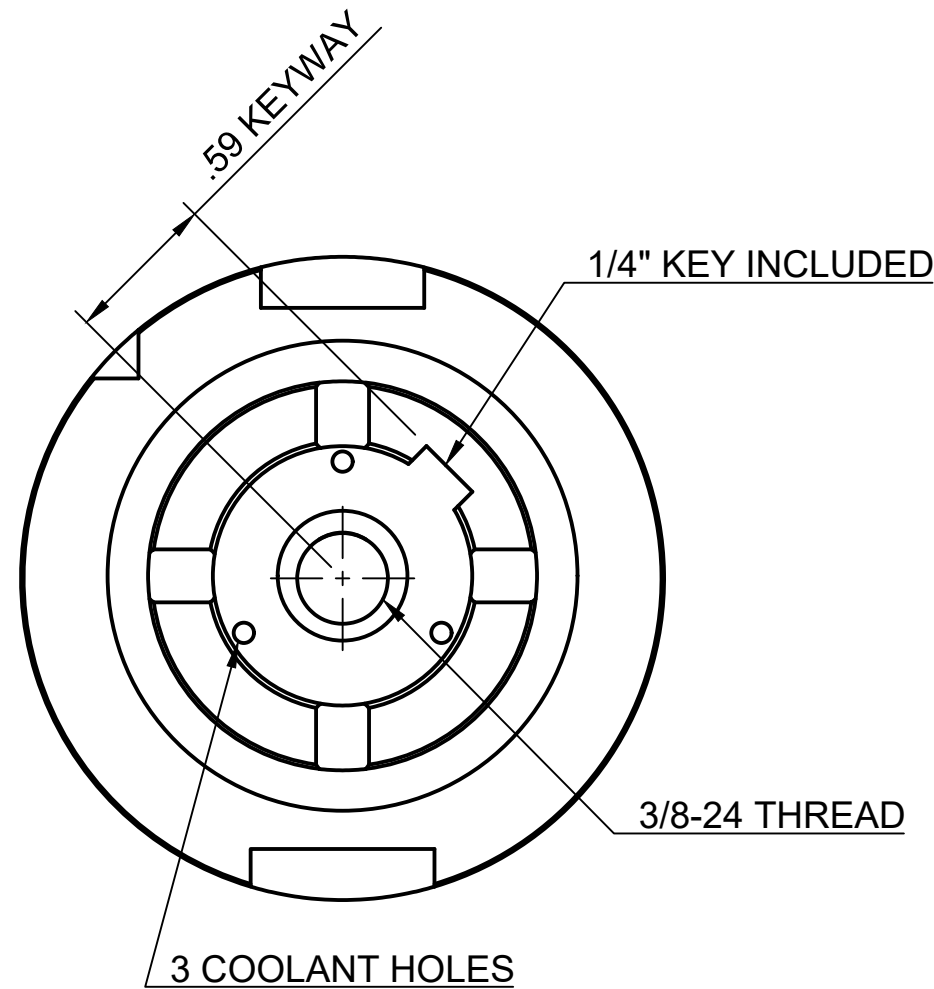
D

A

B

C

D



NOTES:
 THIS TOOL HOLDER ACCEPTS ALL 1.0" SSA CAPS
 SSA1.0-CAPK1C INCLUDED
 FOR MORE PRODUCT DETAILS PLEASE GO TO MARITool.COM
 AND SEARCH ITEM # LISTED ON THIS PRINT

MARITool
www.maritool.com
ITEM# HSK63A SSA1.0-3.0CK
Made In USA / Drawn By FM

1

2

3

4

5

6